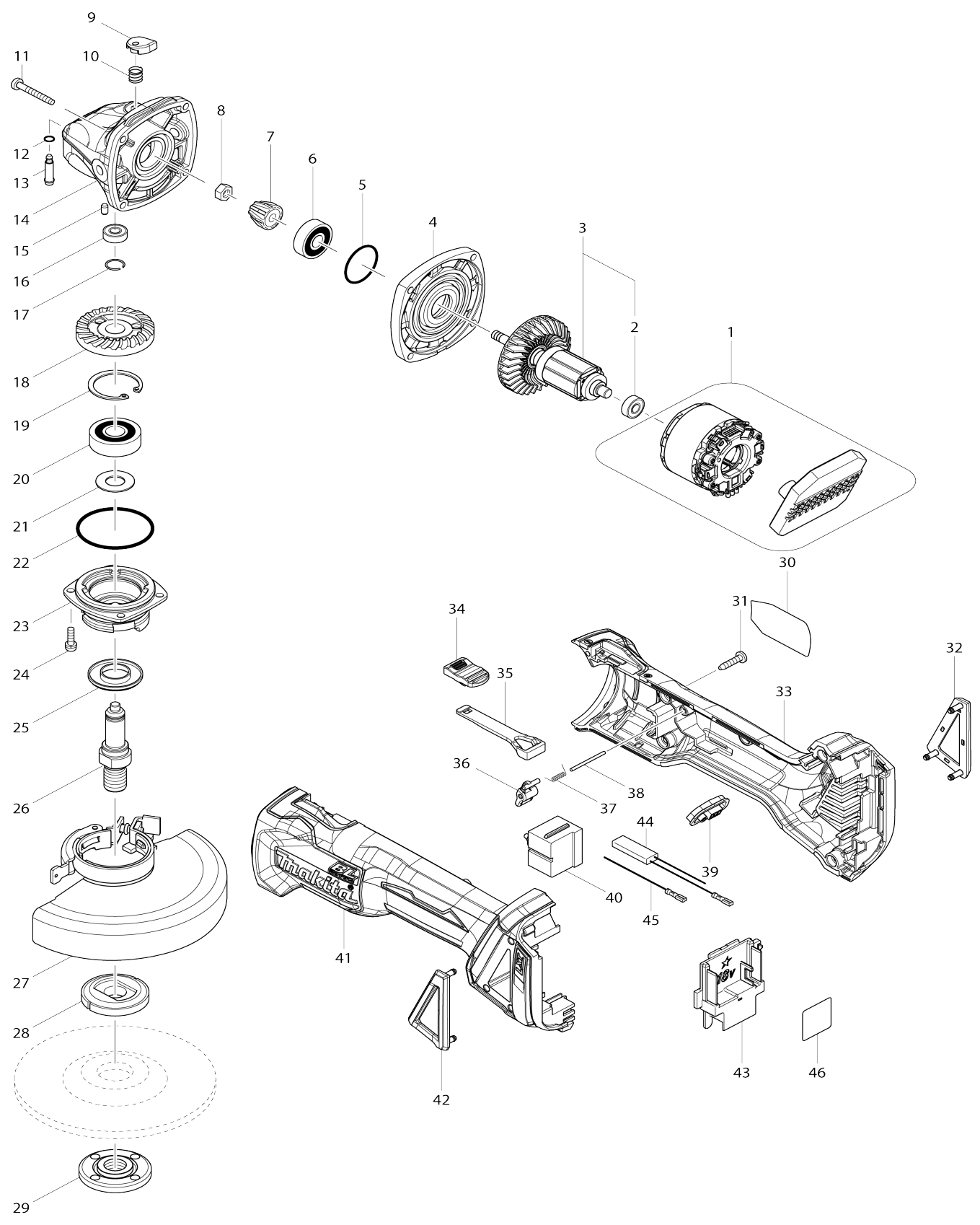


Model No.DGA504 125MM CORDLESS ANGLE GRINDER



Model No.DGA504 125MM CORDLESS ANGLE GRINDER

Item No.	Parts No.	Description
001	629140-1	STATOR COMPLETE
C10	688131-1	LINE FILTER
001-1	629173-6	STATOR COMPLETE
C10	688131-1	LINE FILTER
001-1	629176-0	STATOR COMPLETE
001-2	629176-0	STATOR COMPLETE
001-2	629173-6	STATOR COMPLETE
001-3	629173-6	STATOR COMPLETE
001-3	629B61-9	STATOR
001-4	629B61-9	STATOR
002	210034-7	BALL BEARING 607LLB
002-1	210169-4	BALL BEARING 607LLB
003	519354-9	ROTOR ASS'Y
003		INC. 2
003-1	519378-5	ROTOR ASS'Y
003-1		INC. 2
003-2	510329-1	ROTOR ASS'Y
003-2		INC. 2
003-3	510329-1	ROTOR ASS'Y
003-3		INC. 2
003-4	510329-1	ROTOR ASS'Y
003-4		INC. 2
004	319214-3	GEAR HOUSING COVER
005	213445-5	O-RING 26
005-1	213407-3	O RING 26
006	210042-8	BALL BEARING 629LLB
007	227541-3	SPIRAL BEVEL GEAR 10
007-1	226861-2	SPIRAL BEVEL GEAR 10
008	252186-8	HEX. NUT M6
009	417771-6	PIN CAP
010	233072-2	COMPRESSION SPRING 8
010-1	233376-2	COMPRESSION SPRING 8
011	266361-0	TAPPING SCREW 4X30
011-1	265B70-0	TAPPING SCREW 4X30
012	213960-9	O RING 5
013	256546-6	SHOULDER PIN 4
014	319213-5	GEAR HOUSING
015	263002-9	RUBBER PIN 4
016	210033-9	BALL BEARING 696ZZ
017	233950-6	RING SPRING 11
018	227641-9	SPIRAL BEVEL GEAR 37
018-1	226862-0	SPIRAL BEVEL GEAR 37
019	962151-6	RETAINING RING R-32
020	211129-9	BALL BEARING 6201DDW
021	267113-2	FLAT WASHER 12
021-1	267238-2	FLAT WASHER 12
022	213622-9	O RING 45

023	318331-6	BEARING BOX
024	911121-2	PAN HEAD SCREW M4X14
025	345464-4	LABYRINTH RING
026	324954-0	SPINDLE
027	123145-8	TOOLLESS WHEELCOVER 125AK ASSY
C10	213009-5	O RING 4
C20	265180-1	PAN HEAD SCREW M5X16
027-1	141P36-7	TOOLLESS WHEEL COVER 125AK CMP
C10	213009-5	O RING 4
C20	265180-1	PAN HEAD SCREW M5X16
C30	8050A1-8	CAUTION LABEL
028	224415-9	INNER FLANGE 42
028-1	224490-5	INNER FLANGE 14-45
028-2	224415-9	INNER FLANGE 42
029	224554-5	LOCK NUT 14-45
030	850J42-2	DGA504 NAME PLATE
031	266326-2	TAPPING SCREW 4X18
031-1	265B67-9	TAPPING SCREW 4X18
032	455450-8	DUST COVER R
033	187998-9	MOTOR HOUSING SET
C10	263005-3	RUBBER PIN 6
033		INC. 41
034	455447-7	SWITCH KNOB
035	455446-9	SWITCH LEVER
036	455448-5	LEVER
037	231679-8	TORSION SPRING 2
038	268330-7	PIN 2
039	142901-7	INDICATOR PANEL COMPLETE
040	650579-7	SWITCH 1246.3223
040-1	650579-7	SWITCH 1246.3223
041	187998-9	MOTOR HOUSING SET
C10	263005-3	RUBBER PIN 6
041		INC. 33
042	455449-3	DUST COVER L
043	643899-6	TERMINAL
044	632E34-1	RESISTOR UNIT
045	632E33-3	LEAD UNIT
046	850J49-8	DGA504 SERIAL NO. LABEL
047	620K10-3	CONTROLLER
048	652119-7	PAN HEAD SCREW M2X6
A01	A-80656	GRINDING WHEEL 125 WA36N
A02	158237-4	GRIP 36 COMPLETE
A03	782423-1	LOCK NUT WRENCH 35
A04	***DC18RC	DC18RC FAST CHARGER
A05	194204-5	BATTERY BL1830 SET
A05-1	194204-5	BATTERY BL1830 SET
A05-1	196399-0	BATTERY BL1840 SET
A05-2	197600-6	BATTERY BL1830B SET
A05-2	197265-4	BATTERY BL1840B SET
A05-2	197280-8	BATTERY BL1850B SET

A05-3	197600-6	BATTERY BL1830B SET
A05-3	197265-4	BATTERY BL1840B SET
A05-3	197280-8	BATTERY BL1850B SET
A06	450128-8	BATTERY COVER
A07	821636-0	PLASTIC CASE
C10	162315-4	LATCH
A07	821551-8	CONNECTOR PLASTIC CASE (TYPE3)
C10	453974-8	LATCH
A07-1	821734-0	PLASTIC CASE
C10	162315-4	LATCH
A07-2	821817-6	PLASTIC CASE
C10	162315-4	LATCH
A08	838175-3	INNER TRAY
A08	839252-4	INNER TRAY
A09	810M43-0	DGA504RTJ INDICATION LABEL
A09	812T94-1	DGA504RT3J INDICATION LABEL
A10	810M44-8	DGA504RTJ PLASTIC CASE LABEL
A10	812T95-9	DGA504RT3J PLASTIC CASE LABEL
A13	199710-5	CUTTING W.C.A. 125 SET
F01-1	194514-0	VIBRATION PROOF GRIP SET
F03	192227-7	SUPER FLANGE
F07-3	197600-6	BATTERY BL1830B SET
F08-4	197599-5	BATTERY BL1830B SET
F09-3	197267-0	BATTERY BL1840B SET
F10-3	197267-0	BATTERY BL1840B SET
F11-3	197265-4	BATTERY BL1840B SET
F12-3	197265-4	BATTERY BL1840B SET
F13-3	197273-5	BATTERY BL1840B SET(2PIECES)
F26	191W06-8	115/125MM DUST COVER K SET
C10	743129-6	BRUSH A
C20	743130-1	BRUSH B

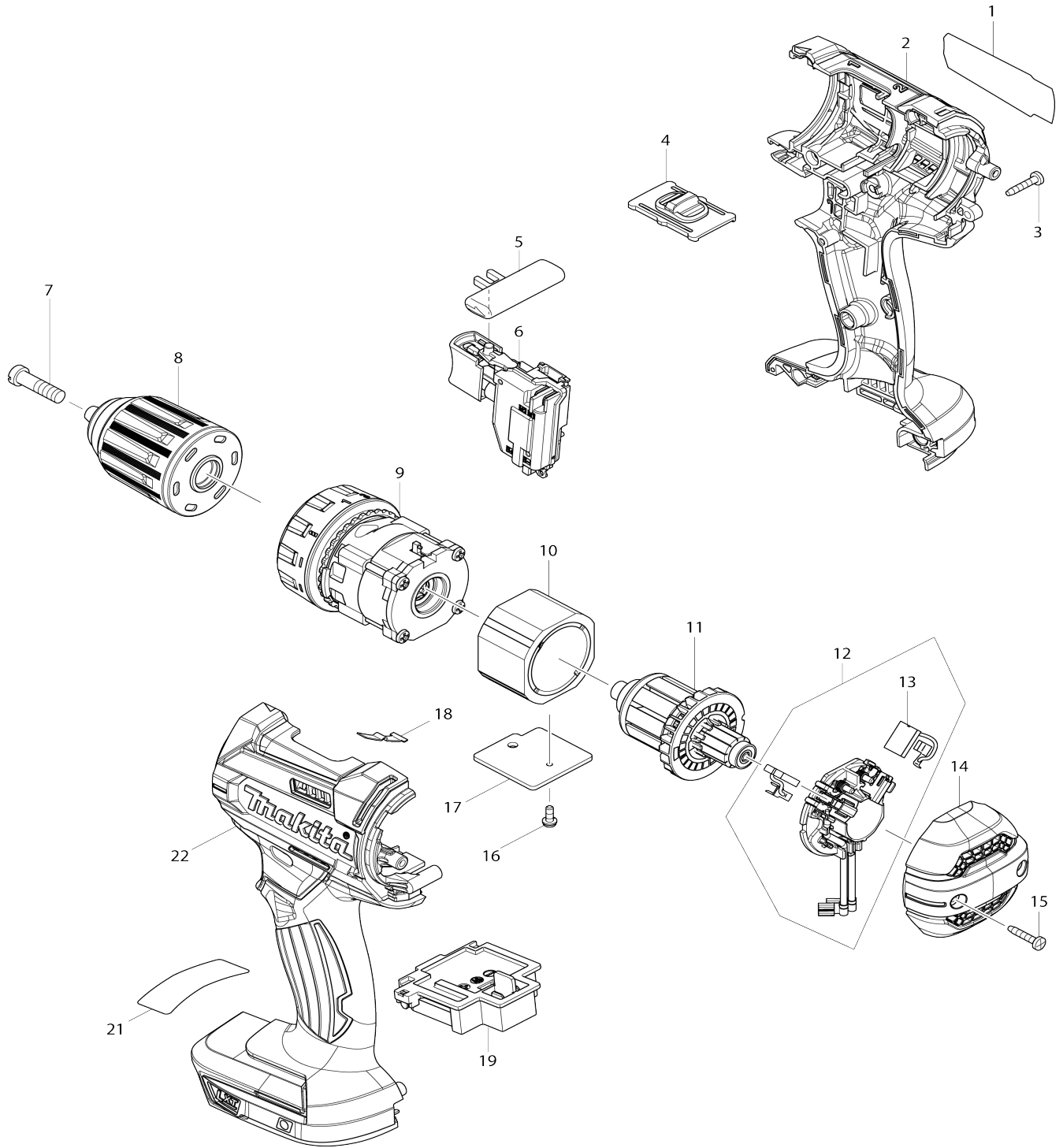
Model No.DHR241 CORDLESS COMBINATION HAMMER

Item No.	Parts No.	Description
001	286263-4	CAP 35
002	233940-9	RING SPRING 19
003	417629-9	CHUCK COVER
004	257241-1	RING 21
005	345187-4	GUIDE WASHER
006	233916-6	CONICAL COMP. SPRING 21-29
007	921923-8	HEX. BOLT M8X120
008	345280-4	HEX. WASHER
009	417630-4	GRIP BASE
010	158057-6	GRIP 36 COMPLETE
C10	931402-8	HEX. NUT M8
013	162245-9	CHANGE LEVER
014	233459-8	COMPRESSION SPRING 3
015	419192-8	LOCK BUTTON
016	213278-8	O RING 17
017	158216-2	GEAR HOUSING COMPLETE
C10	213345-9	OIL SEAL 25
018	266351-3	TAPPING SCREW 4X35
019	153290-5	NEEDLE BEARING COMPLETE
020	961017-7	STOP RING E-3
021	417796-0	GUIDE BASE
022	233344-5	COMPRESSION SPRING 4
023	163430-7	LOCK PLATE COMPLETE
024	266374-1	TAPPING SCREW 4X25
025	233929-7	RING SPRING 29
026	267460-1	WASHER 31
027	233401-9	COMPRESSION SPRING 32
028	227109-5	SPUR GEAR 51
029	216022-2	STEEL BALL 7.0
030	158574-6	TOOL HOLDER COMPLETE
031	267229-3	FLAT WASHER 28
032	331769-8	SLEEVE 9
033	324669-9	IMPACT BOLT
034	324402-9	RING 10
035	421955-0	CUSHION RING 13
036	324216-6	O RING CASE
037	213073-6	O RING 9
038	233917-4	RING SPRING 28
039	324214-0	STRIKER
040	213227-5	O RING 16
041	318132-2	PISTON CYLINDER
042	267104-3	FLAT WASHER 12
043	324215-8	PISTON JOINT
044	267104-3	FLAT WASHER 12
045	213727-5	O-RING 63
046-1	210028-2	BALL BEARING 606ZZ
047	961003-8	RETAINING RING S-7

048	233343-7	COMPRESSION SPRING 7
049	227179-4	SPUR GEAR 10
050	324668-1	CAM SHAFT
051	331992-5	CLUTCH CAM
052	219014-0	SWASH BEARING 10
052-1	219021-3	SWASH BEARING 10
053	226632-7	HELICAL GEAR 25
053-1	226985-4	HELICAL GEAR 25
054	266273-7	HEX. SOCKET HEAD BOLT M4X12
055	345179-3	BEARING RETAINER
056	267234-0	FLAT WASHER 8
057-1	210029-0	BALL BEARING 608ZZ
058	324212-4	RING 8
059	961011-9	STOP RING E-4
060	941102-2	FLAT WASHER 5
061	233342-9	COMPRESSION SPRING 6
062	345363-0	CHANGE PLATE
063	141574-3	INNER HOUSING COMPLETE
065	213407-3	O RING 26
066	213077-8	OIL SEAL 10
067	210059-1	BALL BEARING 600DDW
068	267213-8	FLAT WASHER 10
069	240092-9	FAN 64
070	519226-8	ARMATURE ASS'Y 18V
070		INC. 67-69,71,72
071	253823-7	FLAT WASHER 7
072	210023-2	BALL BEARING 627DDW
073	267816-8	WAVE WASHER 15
074	815J32-2	DHR241 NAME PLATE 20MM
075	188577-6	HOUSING SET
075		INC. 82
076	638020-0	YOKE UNIT
077	638926-2	BRUSH HOLDER COMPLETE
079	266326-2	TAPPING SCREW 4X18
080	911011-9	PAN HEAD SCREW M3X10
081	689070-8	HEAT SINK
082	188577-6	HOUSING SET
082		INC. 75
084	643829-7	HOLDER CAP
085	194435-6	CARBON BRUSH CB-441
085-1	195022-4	CARBON BRUSH SET CB-441
086	424111-1	SWITCH COVER
087	450615-7	F/R CHANGE LEVER
088	650655-7	SWITCH TG553FSB-7B
090	266326-2	TAPPING SCREW 4X18
091	644808-8	TERMINAL
092	187212-3	BATTERYHOUSING SET
092		INC. 95
093	263036-2	RUBBER PIN 5
094	268184-2	PIN 1.5
095	187212-3	BATTERYHOUSING SET
095		INC. 92

096	266326-2	TAPPING SCREW 4X18
097	424042-4	CUSHION RUBBER
098	424476-1	CUSHION
099	424042-4	CUSHION RUBBER
100	815J42-9	DHR241 SERIAL NO. LABEL
101	123100-0	TOOL HOLDER ASS'Y
101		INC. 25-28,30,32-38
A01	324219-0	DEPTH GAUGE
A02	***DC18RC	DC18RC FAST CHARGER
A03	197265-4	BATTERY BL1840B SET
A03-1	194204-5	BATTERY BL1830 SET
A03-1	197265-4	BATTERY BL1840B SET
A03-2	197600-6	BATTERY BL1830B SET
A03-3	197600-6	BATTERY BL1830B SET
A04	450128-8	BATTERY COVER
A05	821551-8	CONNECTOR PLASTIC CASE (TYP E3)
C10	453974-8	LATCH
A05	141643-0	PLASTIC CASE COMPLETE
C10	163455-1	LATCH
A06	837641-7	INNER TRAY
A07	803F51-6	DHR241RFJ INDICATION LABEL
A08	807F63-1	DHR241RFJ PLASTIC CASE LABEL
A08-1	803F53-2	DHR241RFJ PLASTIC CASE LABEL
B01	195193-7	HAMMER SERVICE KIT SET
C10	195127-0	OIL VESSEL SET
B01		INC. 1,29,35,37,38,40,85
G12	1914X3-8	DUST EXTRACTION PAD SET

Model No.DDF482 CORDLESS DRIVER DRILL



Model No.DDF482 CORDLESS DRIVER DRILL

Item No.	Parts No.	Description
001	851E35-2	DDF482 NAME PLATE
002	183B65-0	HOUSING SET
C10	263005-3	RUBBER PIN 6
002		INC. 22
002	183G75-7	HOUSING SET
003	266429-2	TAPPING SCREW 3X16
003-1	266130-9	TAPPING SCREW BIND PT 3X16
004	123442-2	SPEED CHANGE LEVER ASSEMBLY
C10	233438-6	COMPRESSION SPRING 4
005	419041-9	F/R CHANGE LEVER
006	632F27-4	SWITCH UNIT
C10	620444-4	LED CIRCUIT
C20	688172-7	LINE FILTER
007	251468-5	- FLAT HEAD SCREW M6X22
008	766027-7	KEYLESS DRILL CHUCK 13
009	123444-8	GEAR ASSEMBLY
009-1	127323-2	GEAR ASSEMBLY
009-2	127511-1	GEAR ASSEMBLY
010	632F32-1	YOKE UNIT
010-1	632J70-7	YOKE UNIT
011	619380-9	ARMATURE
011-1	619583-5	ARMATURE
012	632F21-6	BRUSH HOLDER COMPLETE
C10	688172-7	LINE FILTER
012		INC. 13
013	194427-5	CARBON BRUSH SET CB-440
013-1	195021-6	CARBON BRUSH SET CB-440
014	456099-7	REAR COVER
014	457927-9	REAR COVER
015	266429-2	TAPPING SCREW 3X16
015-1	266130-9	TAPPING SCREW BIND PT 3X16
016	911006-2	PAN HEAD SCREW M3X8
016-1	652066-2	+PAN HEAD SCREW M3X9 WITH W
017	689070-8	HEAT SINK
017-1	689262-9	HEAT SINK
018	232182-2	LEAF SPRING
019	644808-8	TERMINAL
022	183B65-0	HOUSING SET
C10	263005-3	RUBBER PIN 6
022		INC. 2
022	183G75-7	HOUSING SET
A01	251314-2	+ TRUSS HEAD SCREW M4X12
A02	346317-0	HOOK
A02	346449-3	HOOK
A03	784637-8	+ - BIT 2-45
A04	821550-0	CONNECTOR PLASTIC CASE (TYP

		E2)
C10	453974-8	LATCH
A04	141856-3	PLASTIC CARRYING CASE COMPLETE
C10	162302-3	LATCH
C20	324207-7	SHAFT
C30	451749-9	HANDLE
A04	141331-9	PLASTIC CASE COMPLETE
C10	324667-3	SHAFT
C20	417724-5	LATCH
C30	419216-0	HANDLE
C40	450830-3	PLASTIC CASE LID
C50	451028-5	PLATE
A05	450128-8	BATTERY COVER
A06	***DC18RC	DC18RC FAST CHARGER
A07	197265-4	BATTERY BL1840B SET
A07	197254-9	BATTERY BL1820B SET
A07	197280-8	BATTERY BL1850B SET
A07-1	197265-4	BATTERY BL1840B SET
A07-1	197254-9	BATTERY BL1820B SET
A07-1	197600-6	BATTERY BL1830B SET
A07-1	197280-8	BATTERY BL1850B SET
A07-2	197265-4	BATTERY BL1840B SET
A07-2	197600-6	BATTERY BL1830B SET
A08	837916-4	INNER TRAY
A08	837863-9	INNER TRAY
A08	807S08-7	DDF482RME PLASTIC CASE LABEL
A08	808Y46-8	DDF482RFE3 PLASTIC CASE LABEL
A08	816F03-8	DDF482RFE PLASTIC CASE LABEL
A08-1	816E97-7	DDF482RME PLASTIC CASE LABEL
A08-1	816F05-4	DDF482RFE3 PLASTIC CASE LABEL
A08-1	817V67-1	DDF482RF PLASTIC CASE LABEL
A08-2	816E98-5	DDF482RME PLASTIC CASE LABEL
A09	808J25-6	DDF482RMJ INDICATION LABEL
A09	808J27-2	DDF482RAJ INDICATION LABEL
A09-1	816F10-1	DDF482RMJ INDICATION LABEL
A09-1	816F12-7	DDF482RAJ INDICATION LABEL
A09-1	816F27-4	DDF482RT3J INDICATION LABEL
A10	808J26-4	DDF482RMJ PLASTIC CASE LABEL
A10	808J28-0	DDF482RAJ PLASTIC CASE LABEL
A10-1	816F11-9	DDF482RMJ PLASTIC CASE LABEL
A10-1	816F13-5	DDF482RAJ PLASTIC CASE LABEL
A10-1	816F28-2	DDF482RT3J PLASTIC CASE LABEL
A10-2	816F14-3	DDF482RAJ PLASTIC CASE LABEL
E02	654015-5	EARTH TERMINAL
E03	654501-6	CONNECTOR P-1.25